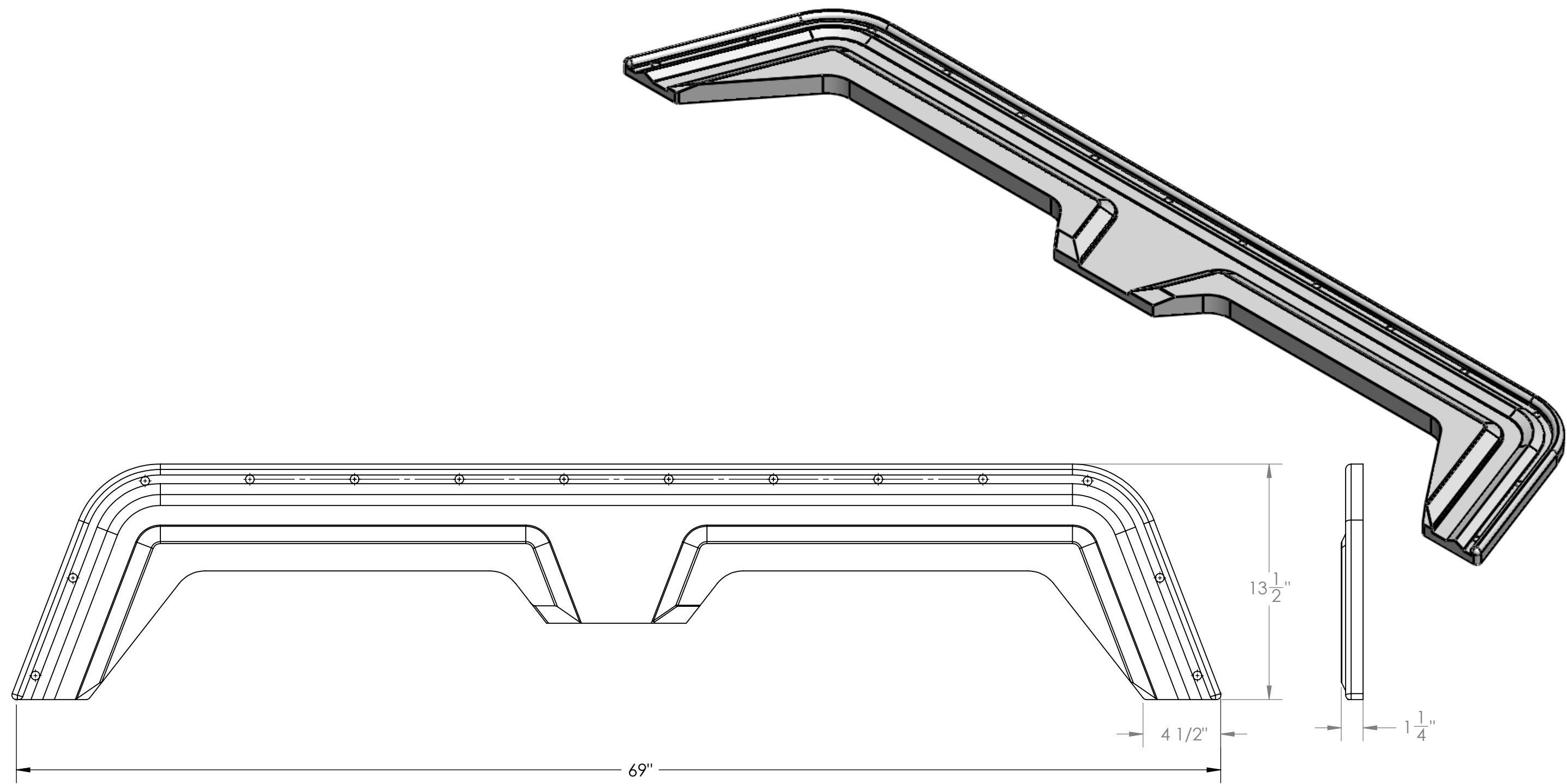


8 7 6 5 4 3 2 1

D
C
B
A



NOTES:

1. MATERIAL: POLYETHYLENE
2. AVAILABLE COLORS: BLACK, WHITE
3. CUSTOM COLORS AVAILABLE UPON REQUEST
4. SHIPPING WEIGHT: APPROX. 5 LBS PER SET

PROPRIETARY AND CONFIDENTIAL
 THE INFORMATION CONTAINED IN THIS DRAWING IS THE SOLE PROPERTY OF <INSERT COMPANY NAME HERE>. ANY REPRODUCTION IN PART OR AS A WHOLE WITHOUT THE WRITTEN PERMISSION OF <INSERT COMPANY NAME HERE> IS PROHIBITED.

		UNLESS OTHERWISE SPECIFIED:		NAME	DATE	CUSTOM ROTO-MOLDING, INC.	
		DIMENSIONS ARE IN INCHES		DRAWN	EBW	8-25-09	
		TOLERANCES:		CHECKED			TITLE:
		FRACTIONAL ±		ENG APPR.			FENDER SKIRT
		ANGULAR: MACH ± BEND ±		MFG APPR.			SIZE
		TWO PLACE DECIMAL ±		Q.A.			DWG. NO.
		THREE PLACE DECIMAL ±		COMMENTS:	P-28		REV
		INTERPRET GEOMETRIC TOLERANCING PER:					
		MATERIAL					
		FINISH					
NEXT ASSY	USED ON	APPLICATION		DO NOT SCALE DRAWING			
				SCALE: 1:10		WEIGHT: SHEET 1 OF 1	

8 7 6 5 4 3 2 1