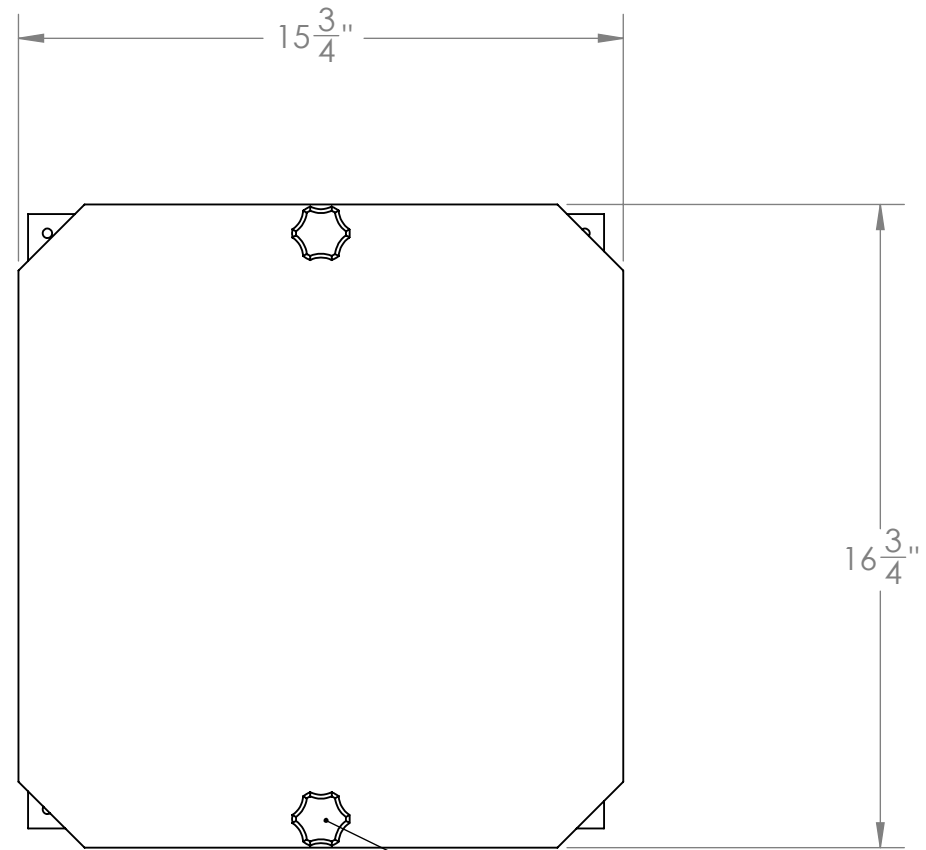
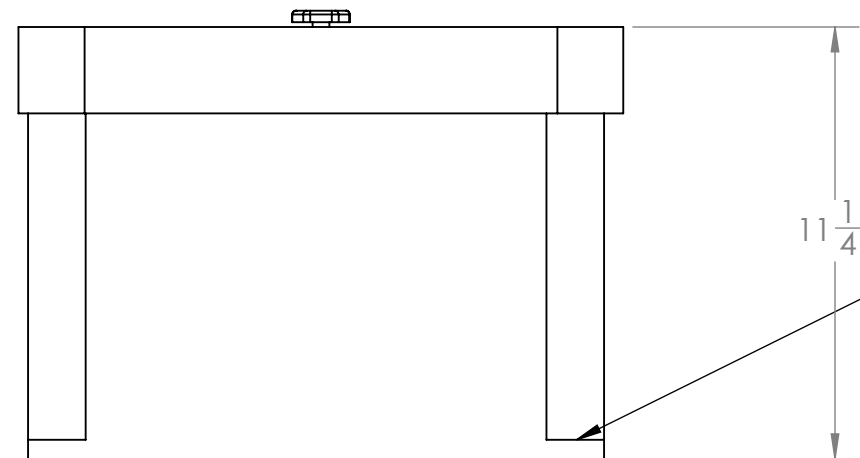
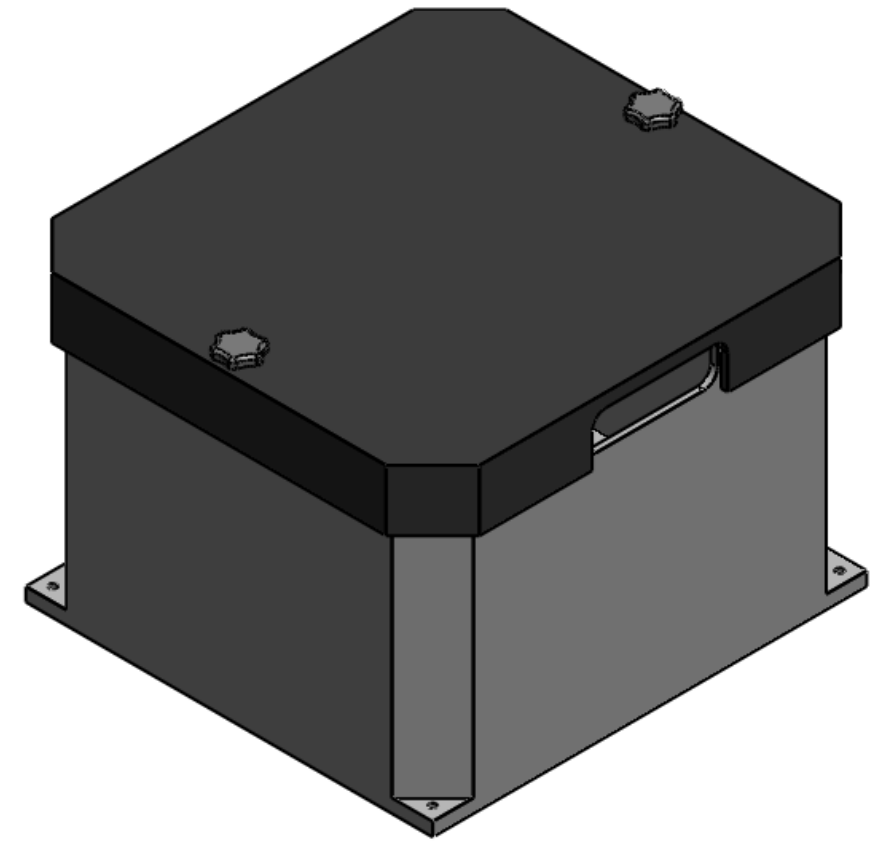


8 7 6 5 4 3 2 1



LID SECURING BOLTS



HOLD DOWN TABS

NOTES:

1. MATERIAL: POLYETHYLENE
2. WALL THICKNESS: 1/4"
3. STOCK COLOR: GREY, BLACK
4. CUSTOM COLORS AVAILABLE UPON REQUEST.

PROPRIETARY AND CONFIDENTIAL
 THE INFORMATION CONTAINED IN THIS DRAWING IS THE SOLE PROPERTY OF <INSERT COMPANY NAME HERE>. ANY REPRODUCTION IN PART OR AS A WHOLE WITHOUT THE WRITTEN PERMISSION OF <INSERT COMPANY NAME HERE> IS PROHIBITED.

		UNLESS OTHERWISE SPECIFIED:		NAME	DATE	CUSTOM ROTO-MOLDING, INC.		
		DIMENSIONS ARE IN INCHES TOLERANCES: FRACTIONAL ± ANGULAR: MACH ± BEND ± TWO PLACE DECIMAL ± THREE PLACE DECIMAL ±		DRAWN	8-27-09			
		INTERPRET GEOMETRIC TOLERANCING PER:		CHECKED		TITLE: GROUP 31 DOUBLE BATTERY BOX SIDE X SIDE		
		MATERIAL		ENG APPR.				
		FINISH		MFG APPR.		SIZE	DWG. NO.	REV
NEXT ASSY	USED ON	DO NOT SCALE DRAWING		COMMENTS:		B	GRP-31-DS	
APPLICATION						SCALE: 1:10 WEIGHT:		SHEET 1 OF 1

8 7 6 5 4 3 2 1

D
C
B
A

D
C
B
A