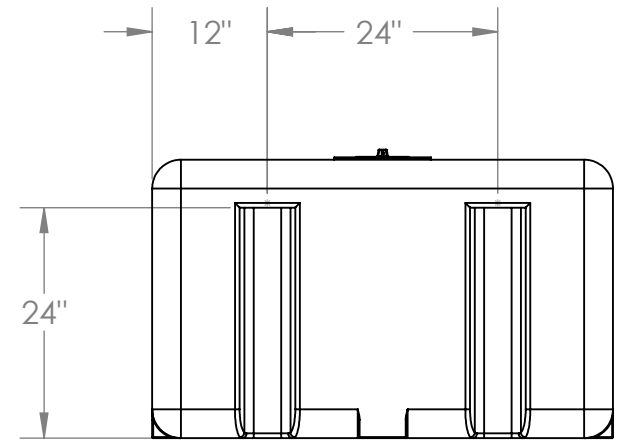
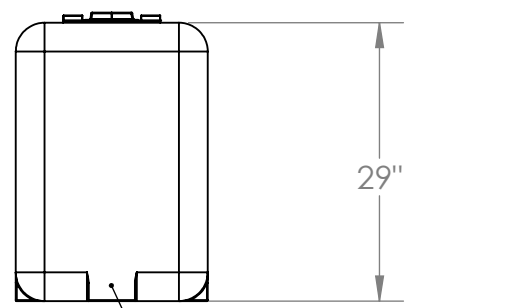
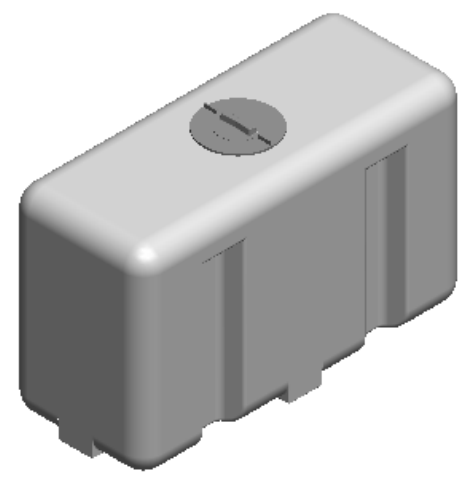
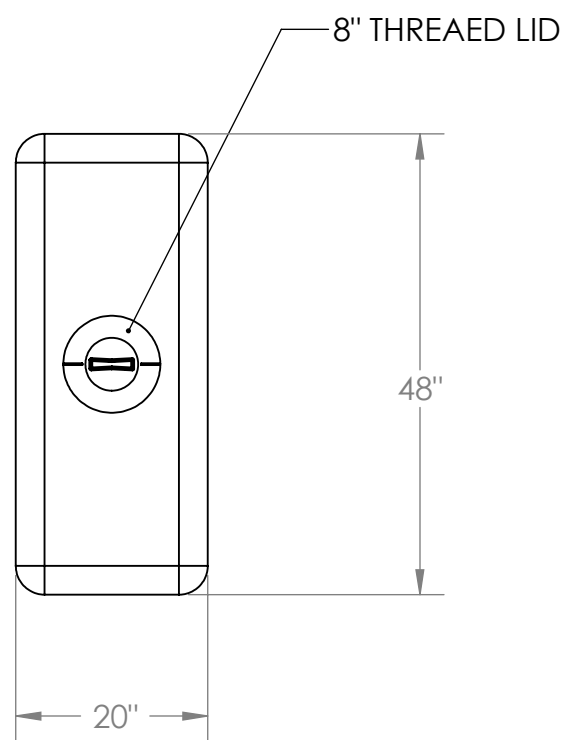


8 7 6 5 4 3 2 1

D  
C  
B  
A

D  
C  
B  
A



NOTES:

- 1. MATERIAL: POLYETHYLENE
- 2. CAPACITY: 100 GALLONS
- 3. WEIGHT: 50 LBS

**PROPRIETARY AND CONFIDENTIAL**  
 THE INFORMATION CONTAINED IN THIS DRAWING IS THE SOLE PROPERTY OF <INSERT COMPANY NAME HERE>. ANY REPRODUCTION IN PART OR AS A WHOLE WITHOUT THE WRITTEN PERMISSION OF <INSERT COMPANY NAME HERE> IS PROHIBITED.

		UNLESS OTHERWISE SPECIFIED:		NAME	DATE	CUSTOM ROTO-MOLDING, INC.	
		DIMENSIONS ARE IN INCHES TOLERANCES: FRACTIONAL ± ANGULAR: MACH ± BEND ± TWO PLACE DECIMAL ± THREE PLACE DECIMAL ±		DRAWN	EBW	11-24-09	TITLE:
		INTERPRET GEOMETRIC TOLERANCING PER:		CHECKED			100 GALLON RECTANGULAR TANK
		MATERIAL		ENG APPR.			
NEXT ASSY	USED ON	FINISH		MFG APPR.			SIZE
APPLICATION		DO NOT SCALE DRAWING		Q.A.			DWG. NO.
				COMMENTS:			REV
							<b>B</b>
							100 RT
							SCALE: 1:20
							WEIGHT:
							SHEET 1 OF 1

8 7 6 5 4 3 2 1