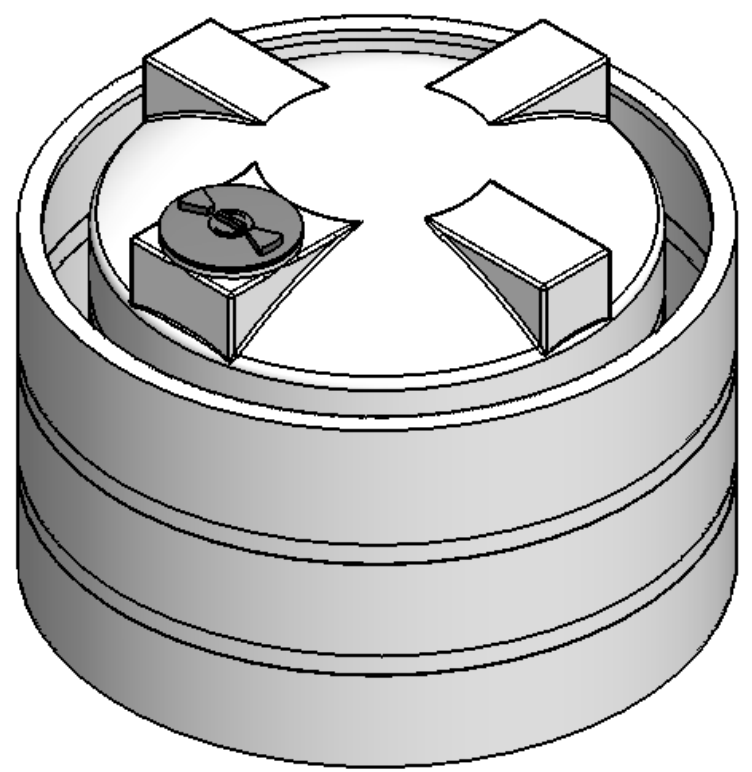
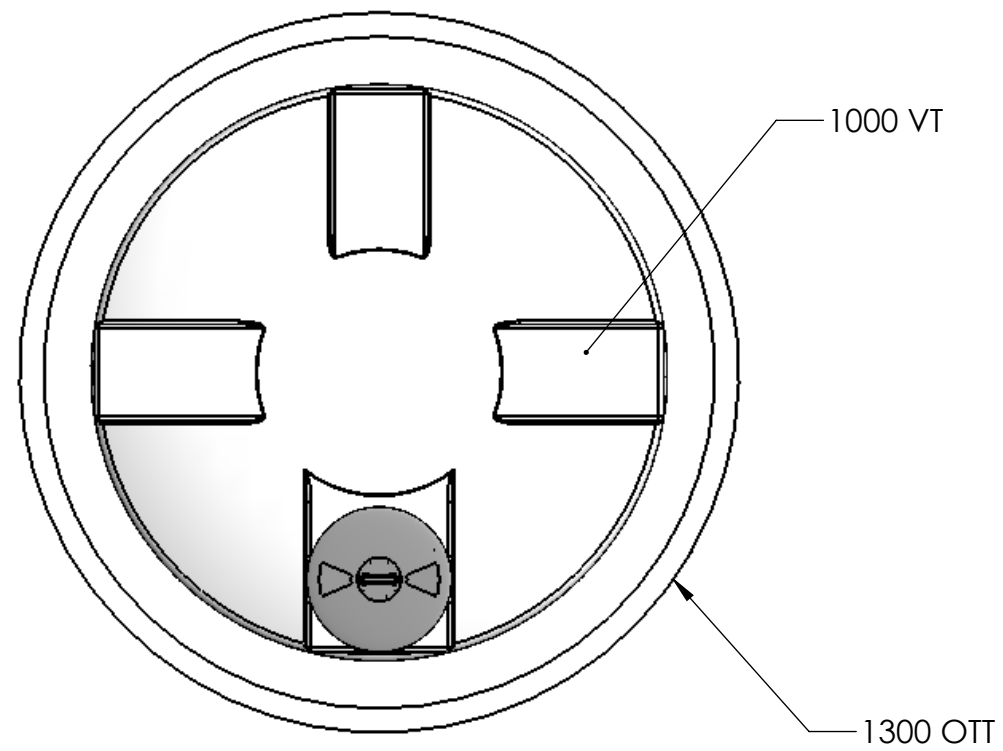


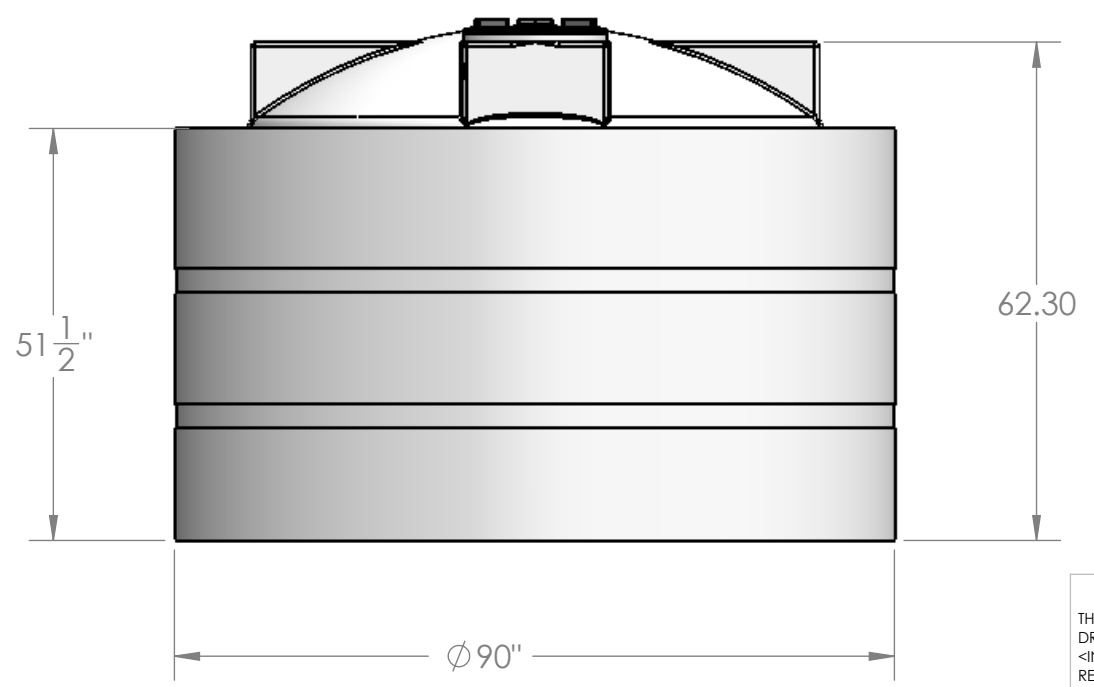
8 7 6 5 4 3 2 1

D
C
B
A



NOTES:

1. MATERIAL: HDPE
2. PRIMARY TANK, STD = 1.5 S.G.
3. CONTAINMENT, STD = 1.5 S.G.
4. SHIPPING WEIGHT: 360 LBS.



PROPRIETARY AND CONFIDENTIAL
 THE INFORMATION CONTAINED IN THIS DRAWING IS THE SOLE PROPERTY OF <INSERT COMPANY NAME HERE>. ANY REPRODUCTION IN PART OR AS A WHOLE WITHOUT THE WRITTEN PERMISSION OF <INSERT COMPANY NAME HERE> IS PROHIBITED.

		UNLESS OTHERWISE SPECIFIED:		NAME	DATE	CUSTOM ROTO-MOLDING, INC.	
		DIMENSIONS ARE IN INCHES		DRAWN	EBW	10-22-10	
		TOLERANCES:		CHECKED			TITLE:
		FRACTIONAL ±		ENG APPR.			1000 VT - 1300 OTT
		ANGULAR: MACH ± BEND ±		MFG APPR.			SIZE
		TWO PLACE DECIMAL ±		Q.A.			DWG. NO.
		THREE PLACE DECIMAL ±		COMMENTS:			REV
		INTERPRET GEOMETRIC TOLERANCING PER:					
		MATERIAL					
		FINISH					
NEXT ASSY	USED ON	APPLICATION					SCALE: 1:32
		DO NOT SCALE DRAWING					WEIGHT:
							SHEET 1 OF 1

8 7 6 5 4 3 2 1