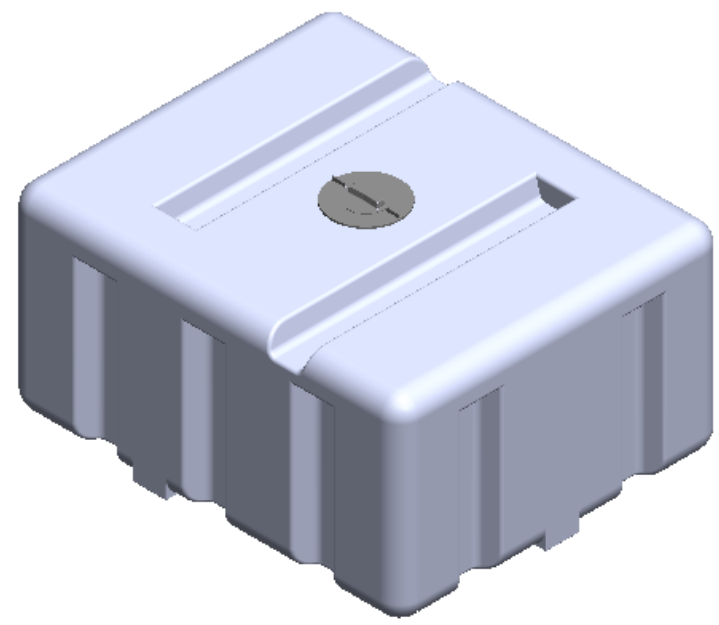
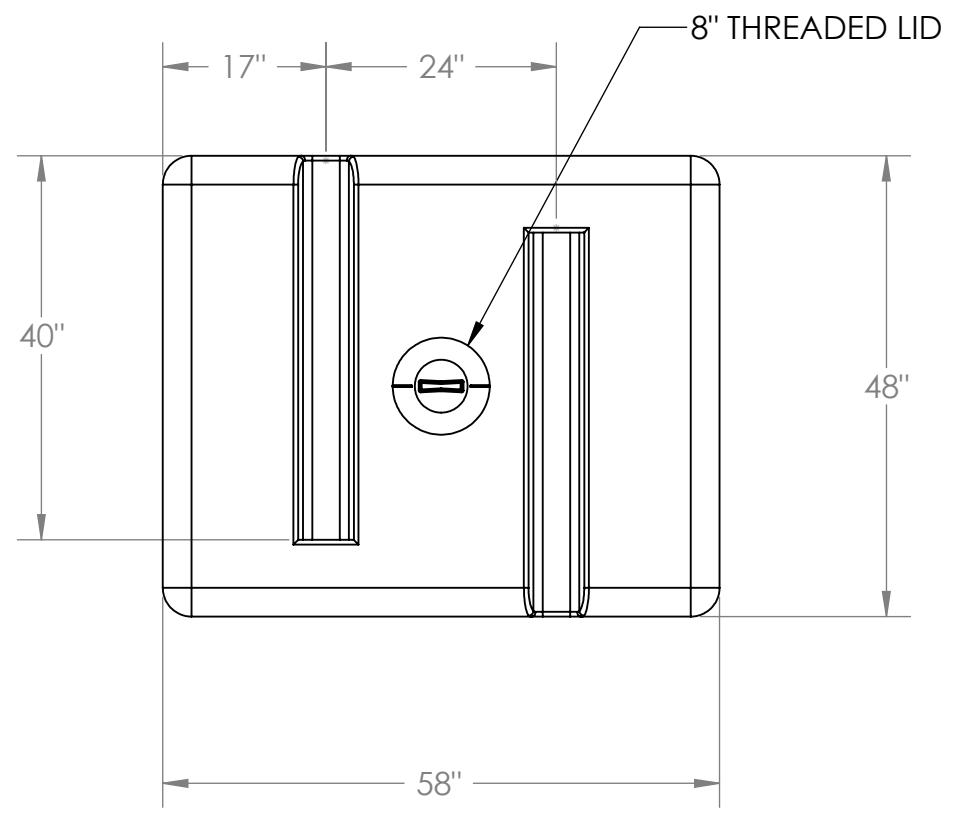


8 7 6 5 4 3 2 1

D

D

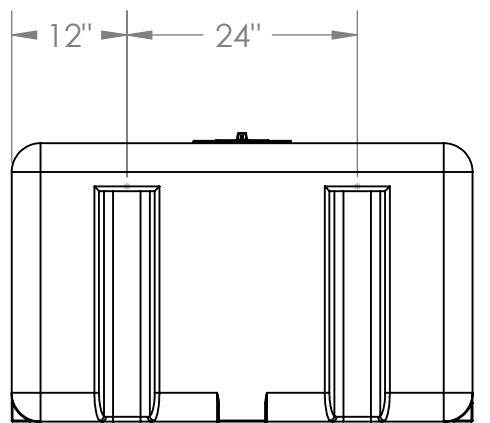
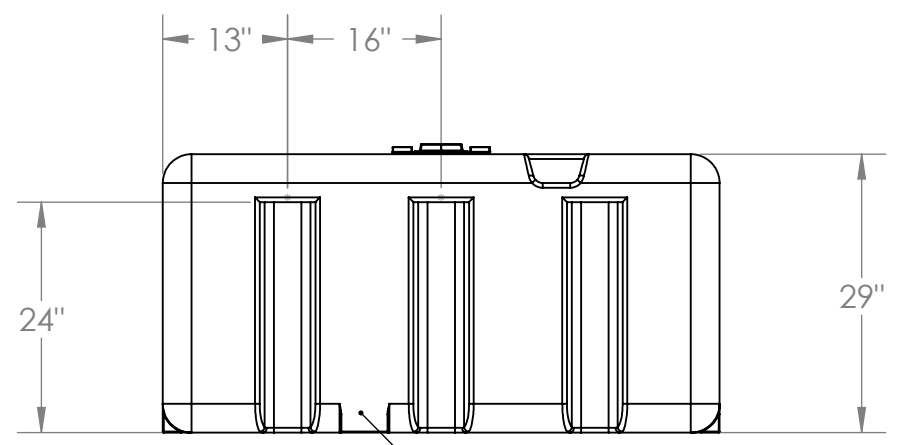


C

C

B

B



FITTING LOCATIONS
(4) PLCS.

NOTES:

1. MATERIAL: POLYETHYLENE
2. CAPACITY: 300 GALLONS
3. WEIGHT: 110 LBS.

A

A

PROPRIETARY AND CONFIDENTIAL
THE INFORMATION CONTAINED IN THIS DRAWING IS THE SOLE PROPERTY OF <INSERT COMPANY NAME HERE>. ANY REPRODUCTION IN PART OR AS A WHOLE WITHOUT THE WRITTEN PERMISSION OF <INSERT COMPANY NAME HERE> IS PROHIBITED.

		UNLESS OTHERWISE SPECIFIED:		NAME	DATE	CUSTOM ROTO-MOLDING, INC.		
		DIMENSIONS ARE IN INCHES TOLERANCES: FRACTIONAL ± ANGULAR: MACH ± BEND ± TWO PLACE DECIMAL ± THREE PLACE DECIMAL ±		DRAWN	EBW		11-24-09	
		INTERPRET GEOMETRIC TOLERANCING PER:		CHECKED		TITLE: 300 GALLON RECTANGULAR TANK		
		MATERIAL		ENG APPR.				
		FINISH		MFG APPR.				
NEXT ASSY	USED ON	DO NOT SCALE DRAWING		Q.A.		SIZE	DWG. NO.	REV
APPLICATION				COMMENTS:		B	300 RT	
						SCALE: 1:20	WEIGHT:	SHEET 1 OF 1

8 7 6 5 4 3 2 1