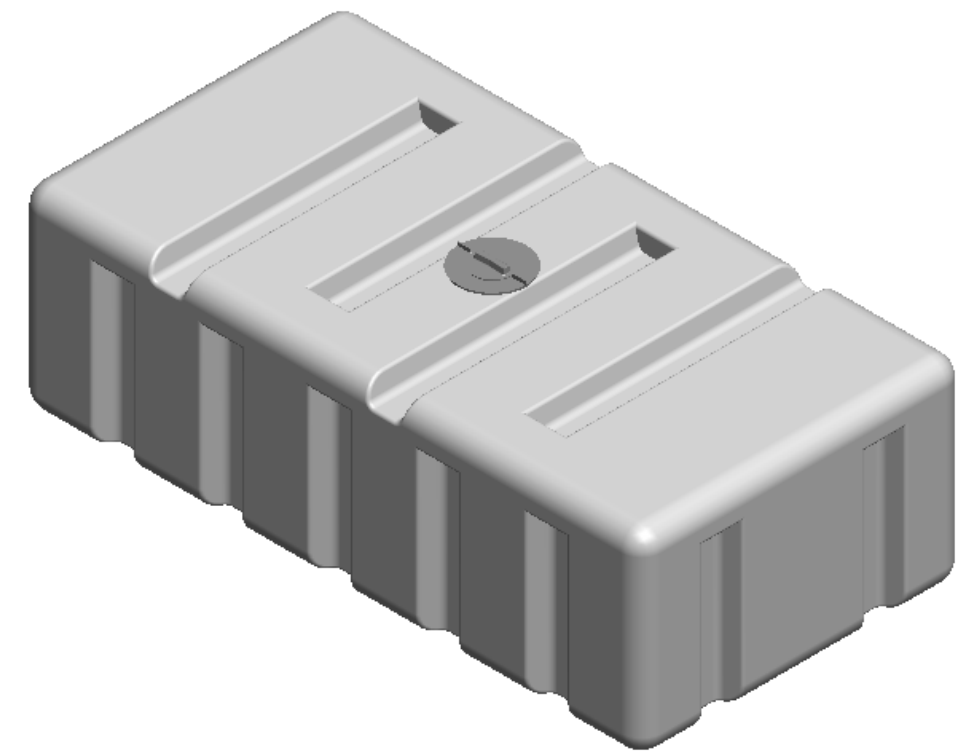
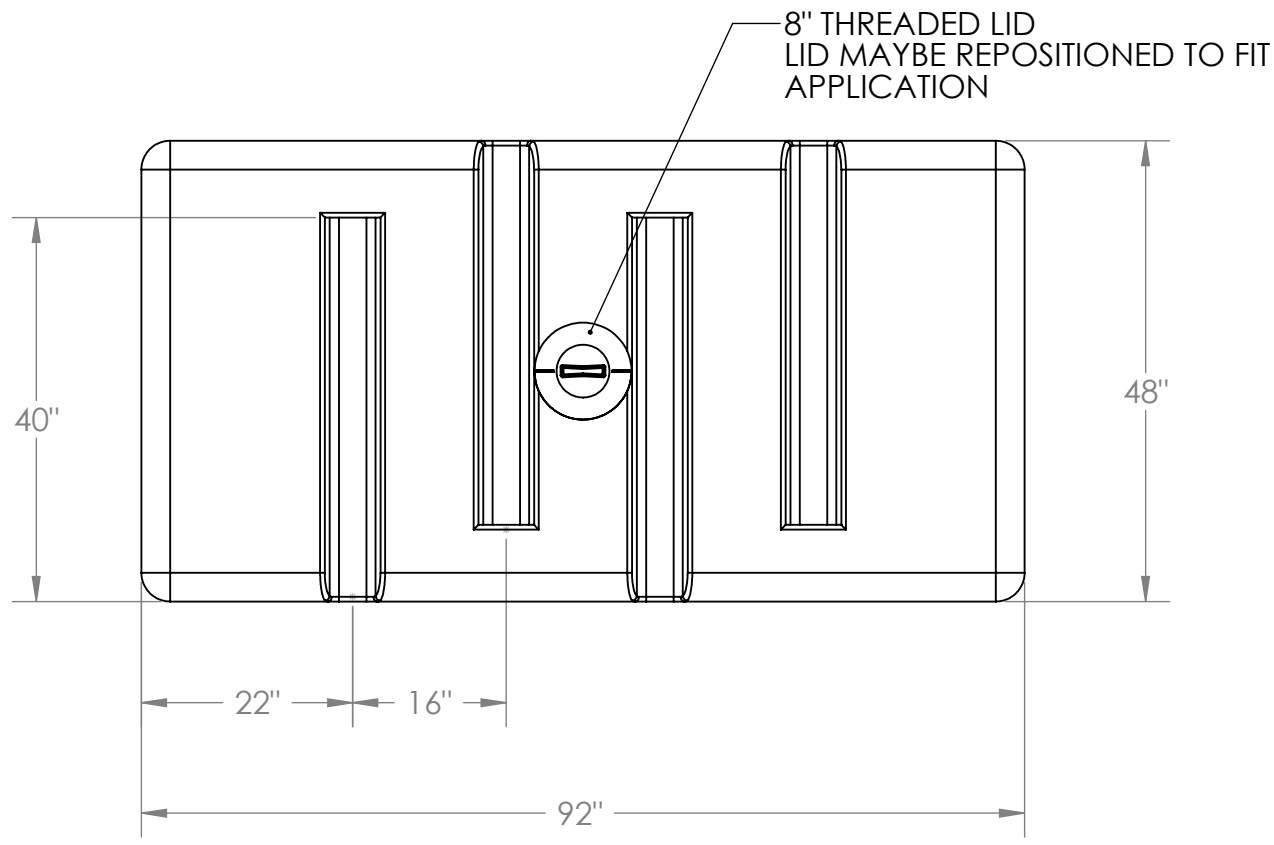


D

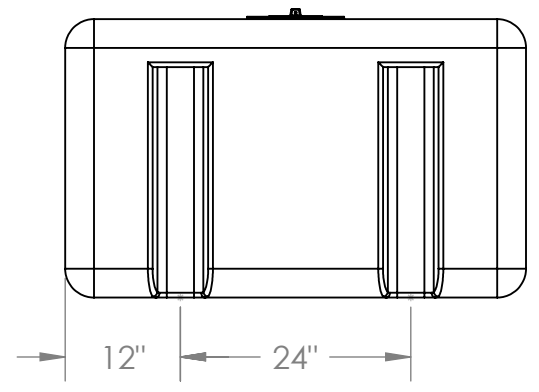
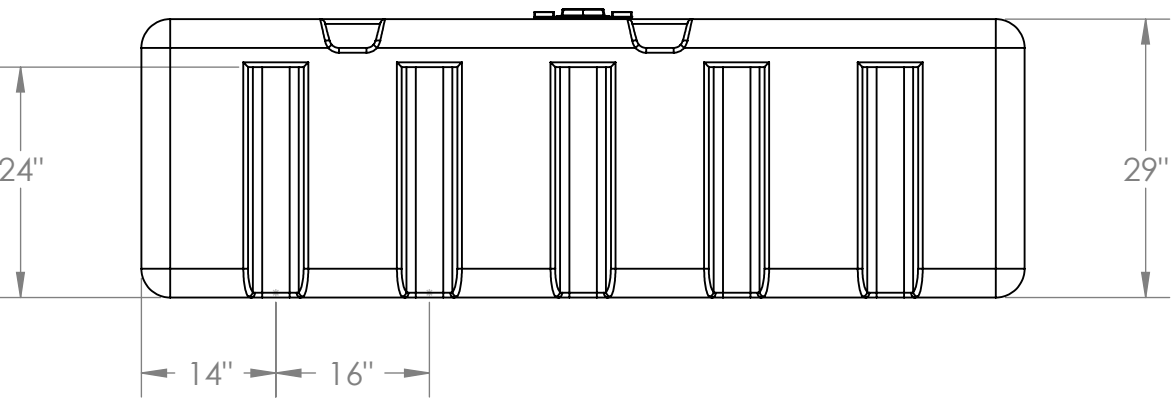


D

C

C

B



B

NOTES:

1. MATERIAL: POLYETHYLENE
2. CAPACITY: 500 GALLONS
3. WEIGHT: 185 LBS.

A

A

PROPRIETARY AND CONFIDENTIAL
 THE INFORMATION CONTAINED IN THIS DRAWING IS THE SOLE PROPERTY OF <INSERT COMPANY NAME HERE>. ANY REPRODUCTION IN PART OR AS A WHOLE WITHOUT THE WRITTEN PERMISSION OF <INSERT COMPANY NAME HERE> IS PROHIBITED.

		UNLESS OTHERWISE SPECIFIED:		NAME	DATE	GOTO PLASTICS TITLE: 500 GALLON RECTANGULAR TANK SIZE DWG. NO. REV B 500 RT	
		DIMENSIONS ARE IN INCHES		DRAWN	EBW		9-25-09
		TOLERANCES:		CHECKED			
		FRACTIONAL ±		ENG APPR.			
		ANGULAR: MACH ± BEND ±		MFG APPR.			
		TWO PLACE DECIMAL ±		Q.A.			
		THREE PLACE DECIMAL ±		COMMENTS:			
		INTERPRET GEOMETRIC TOLERANCING PER:					
		MATERIAL					
		FINISH					
NEXT ASSY	USED ON	APPLICATION		DO NOT SCALE DRAWING		SCALE: 1:20 WEIGHT: SHEET 1 OF 1	