

8 7 6 5 4 3 2 1

D

D

C

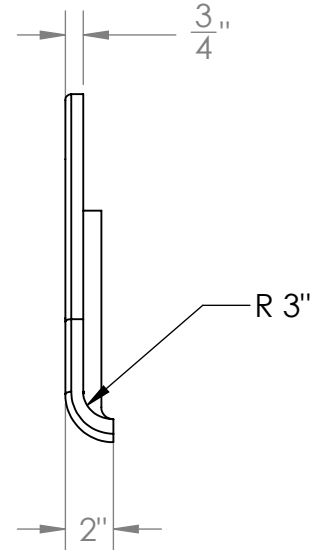
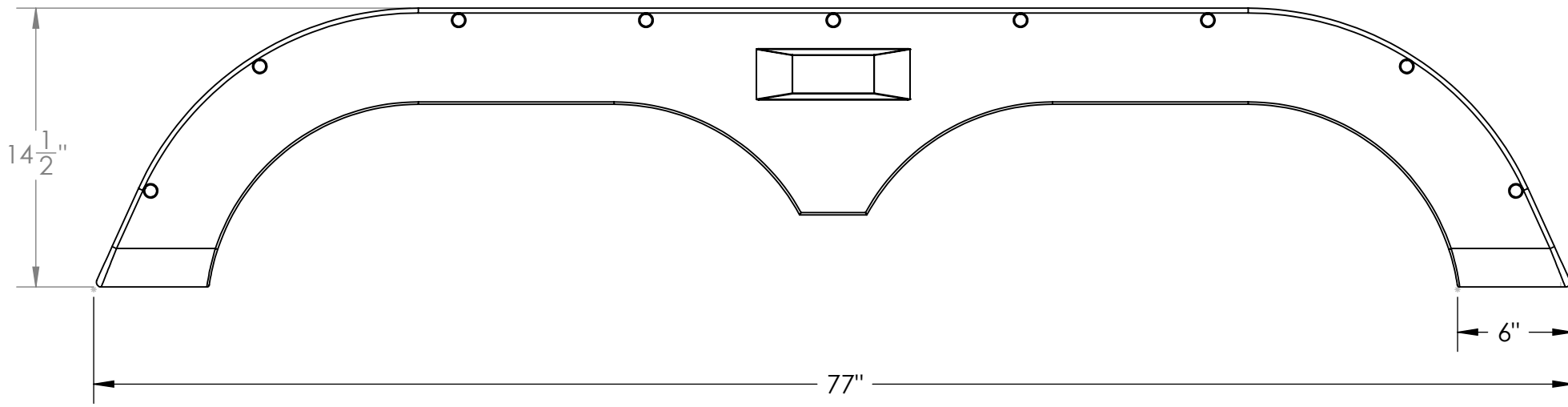
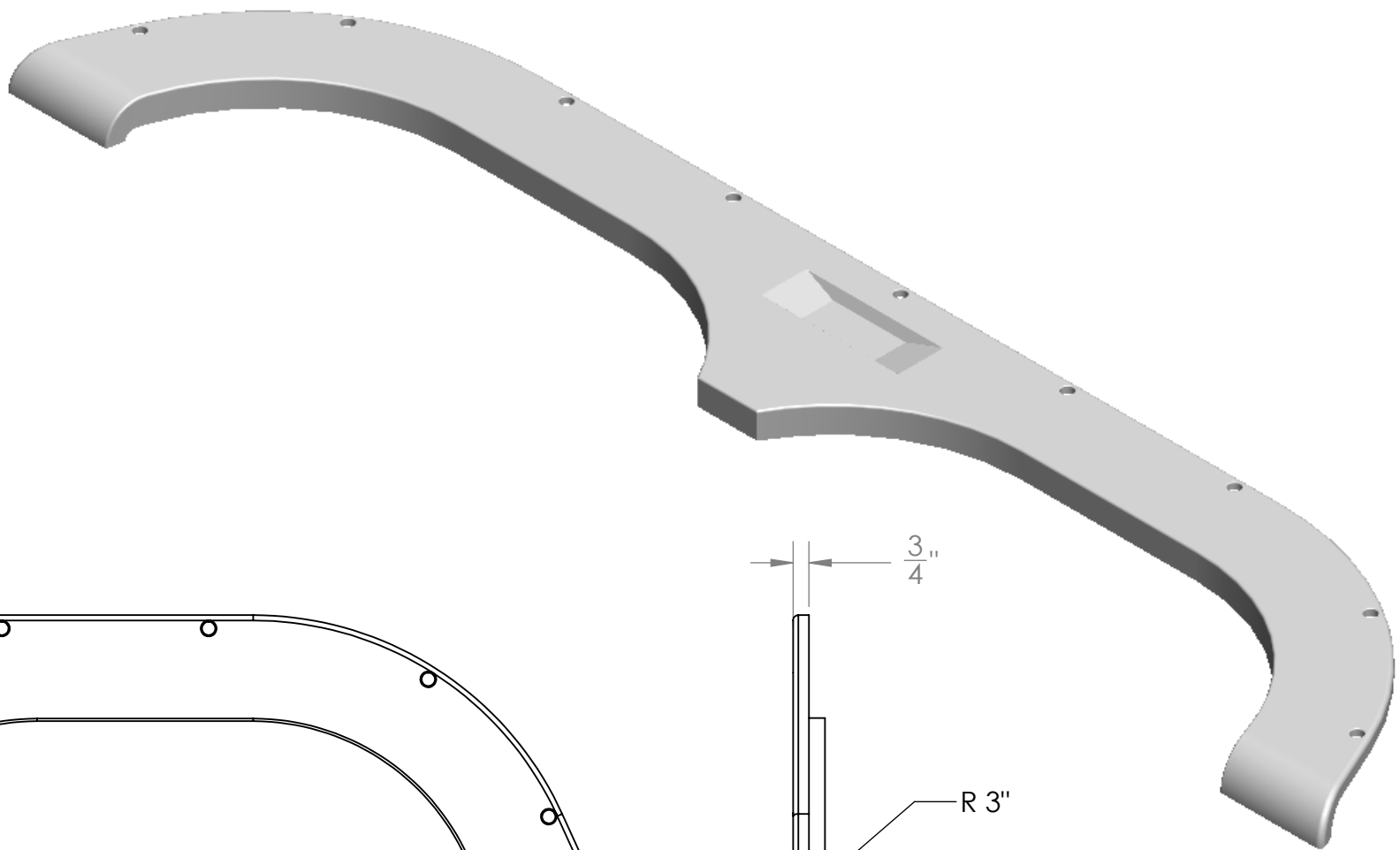
C

B

B

A

A



NOTES:

1. MATERIAL: POLYETHYLENE
2. AVAILABLE COLORS: BLACK, WHITE
3. CUSTOM COLORS AVAILABLE UPON REQUEST.
4. SHIPPING WEIGHT: APPROX. 6 LBS PER SET.

**PROPRIETARY AND CONFIDENTIAL**  
 THE INFORMATION CONTAINED IN THIS DRAWING IS THE SOLE PROPERTY OF <INSERT COMPANY NAME HERE>. ANY REPRODUCTION IN PART OR AS A WHOLE WITHOUT THE WRITTEN PERMISSION OF <INSERT COMPANY NAME HERE> IS PROHIBITED.

		UNLESS OTHERWISE SPECIFIED:		NAME	DATE	CUSTOM ROTO-MOLDING, INC.	
		DIMENSIONS ARE IN INCHES		DRAWN	EBW	8-27-09	TITLE: <b>FENDER SKIRT</b>
		TOLERANCES:		CHECKED			
		FRACTIONAL ±		ENG APPR.			
		ANGULAR: MACH ± BEND ±		MFG APPR.			
		TWO PLACE DECIMAL ±		Q.A.			SIZE DWG. NO. REV <b>B</b> DFS-7714-C
		THREE PLACE DECIMAL ±		COMMENTS:	P-198		
		INTERPRET GEOMETRIC TOLERANCING PER:				SCALE: 1:10 WEIGHT: SHEET 1 OF 1	
		MATERIAL					
		FINISH					
NEXT ASSY	USED ON	APPLICATION		DO NOT SCALE DRAWING			

8 7 6 5 4 3 2 1