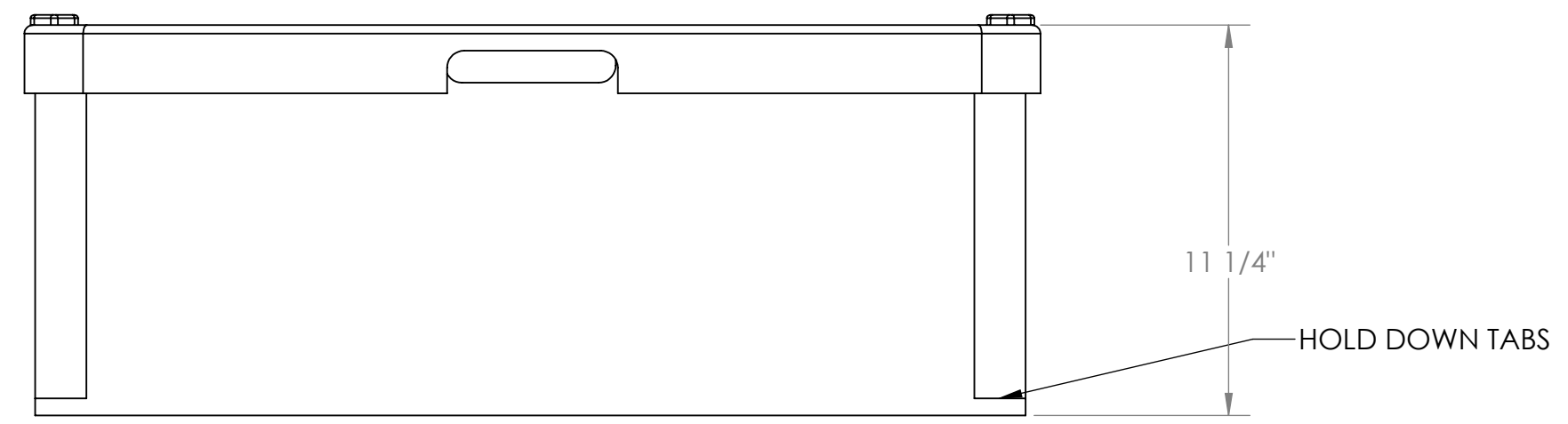
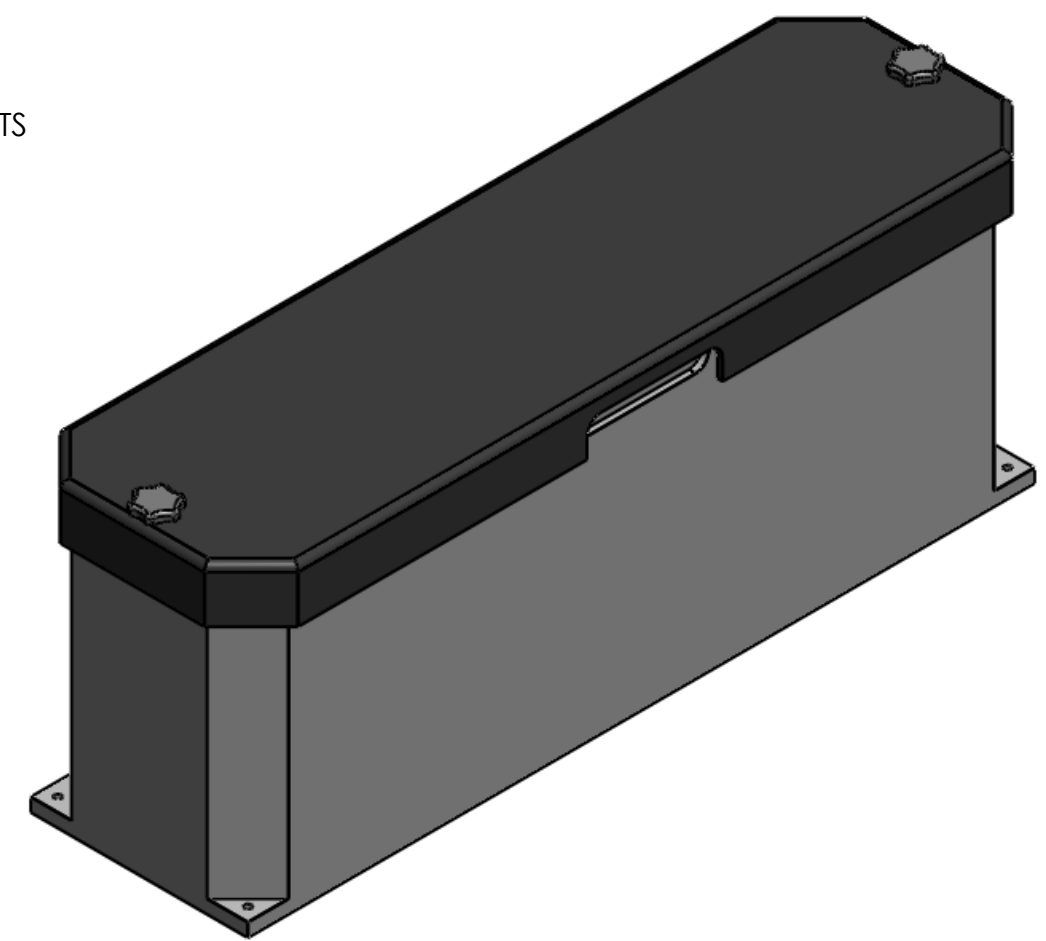
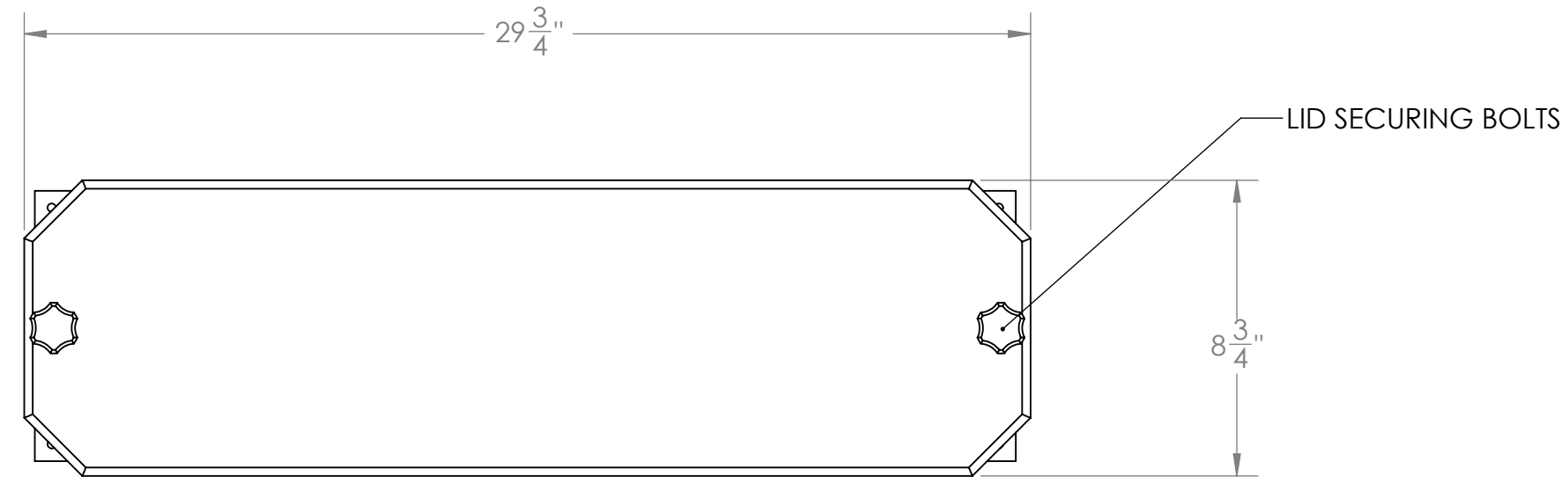


8 7 6 5 4 3 2 1



NOTES:

1. MATERIAL: POLYETHYLENE
2. WALL THICKNESS: 1/4"
3. STOCK COLORS: GREY, BLACK
4. CUSTOM COLORS AVAILABLE UPON REQUEST.

**PROPRIETARY AND CONFIDENTIAL**  
 THE INFORMATION CONTAINED IN THIS DRAWING IS THE SOLE PROPERTY OF <INSERT COMPANY NAME HERE>. ANY REPRODUCTION IN PART OR AS A WHOLE WITHOUT THE WRITTEN PERMISSION OF <INSERT COMPANY NAME HERE> IS PROHIBITED.

		UNLESS OTHERWISE SPECIFIED:		NAME	DATE	CUSTOM ROTO-MOLDING, INC.		
		DIMENSIONS ARE IN INCHES TOLERANCES: FRACTIONAL ± ANGULAR: MACH ± BEND ± TWO PLACE DECIMAL ± THREE PLACE DECIMAL ±		DRAWN	8-27-09			
		INTERPRET GEOMETRIC TOLERANCING PER:		CHECKED		TITLE: <b>GROUP 31 DOUBLE BATTERY BOX, END X END</b>		
		MATERIAL		ENG APPR.				
		FINISH		MFG APPR.				
NEXT ASSY	USED ON			Q.A.		SIZE	DWG. NO.	REV
APPLICATION		DO NOT SCALE DRAWING		COMMENTS:		<b>B</b>	<b>GRP-31-DE</b>	
						SCALE: 1:10 WEIGHT:		SHEET 1 OF 1

8 7 6 5 4 3 2 1